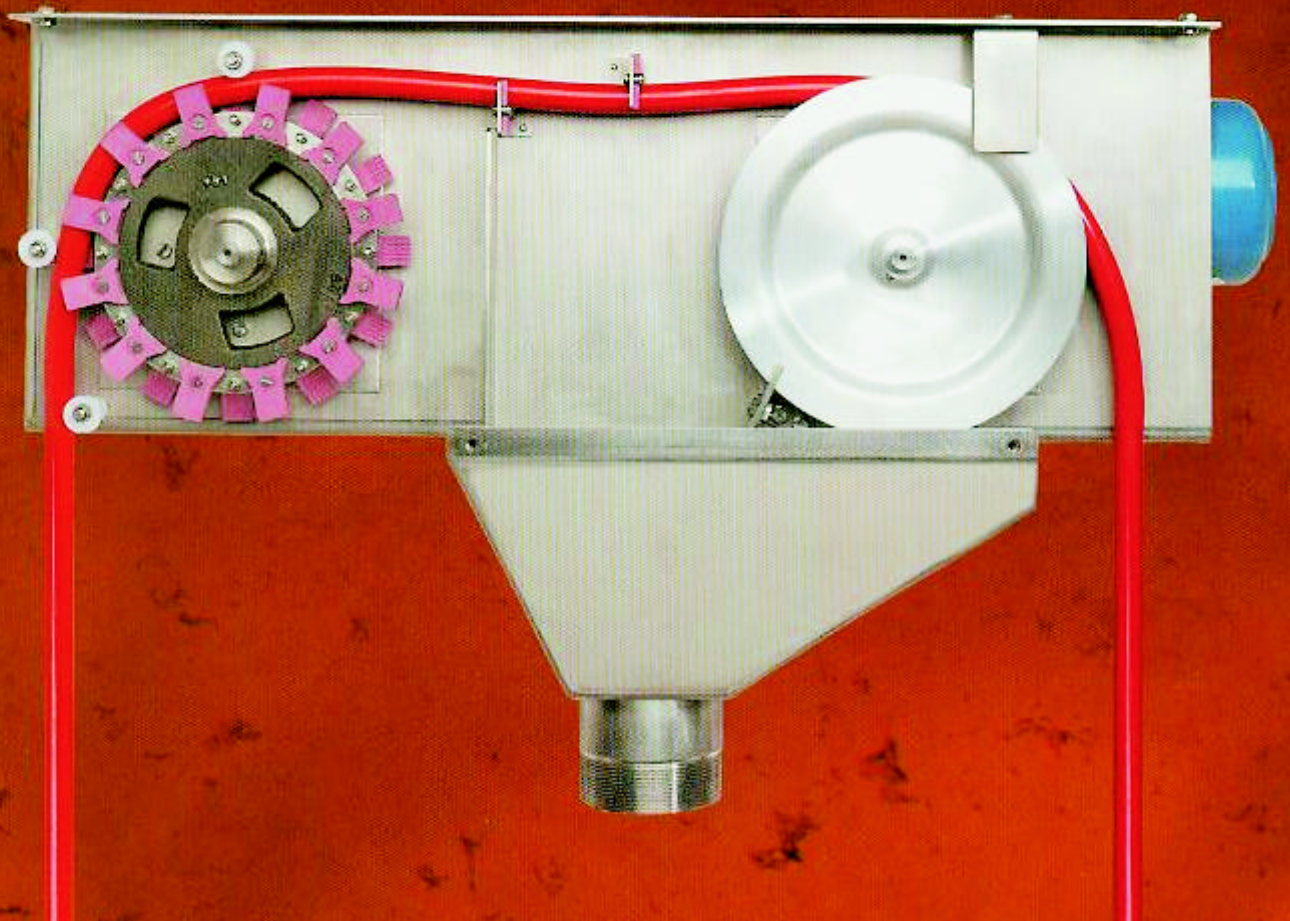


GmbH
FRIESS

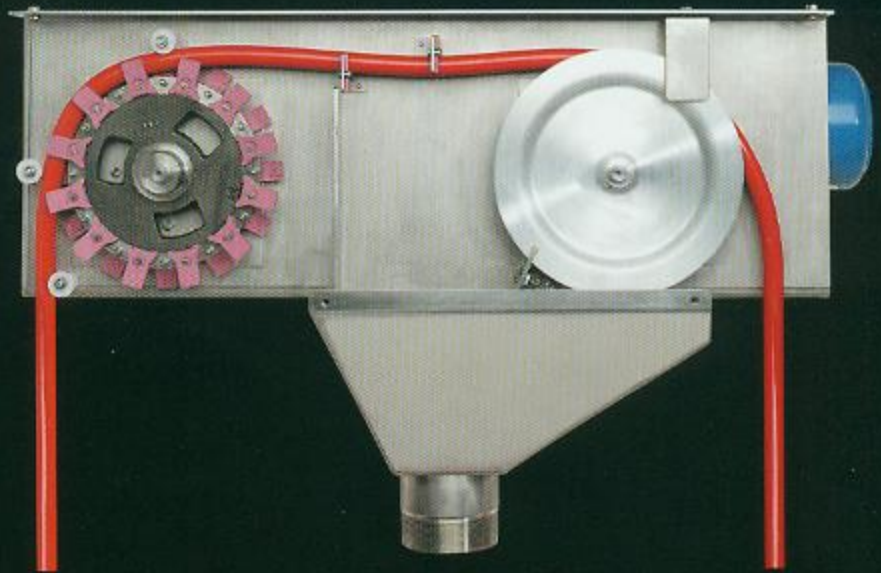
Oil Skimmer

Model **S 100**



FRIESS GmbH

Oil Skimmer Model S 100



1.

The best method of oil removal

The **FRIESS** Oil Skimmer S 100 removes oil from the surface of water or other liquids using a floating tube system. Oil sticks to the outside of the closed loop oil collector tube. This oil collector tube is made of flexible, specially formulated plastic and attracts oil but not water. Oil-covered collector tube is drawn through ceramic scrapers by the oil skimmer S 100. Waste oil runs off into the oil collector pan under the oil skimmer head. The cleaned oil collector tube returns to the water surface to collect more waste oil. Continuous action of the oil collector tube produces a movement on the water surface.

This movement drives oil towards the oil collector tube. With the **FRIESS** technology, oil is collected from the whole water surface. Even from 10 m long basins the oil skimmer S 100 will pick the oil from the whole surface and corners of the basin. A water level change of up to 2 m may be accommodated by the oil collector tube floating on the surface.

2.

What can the oil skimmer S 100 remove?

Oil collector tubes remove all types of floating oil or fat, for example waste oil, mineral oil, vegetable oil, animal fat or oily scum and other sticky fluids from water emulsions or washing solutions.

If the amount of oil on the water is very low or it is a mixture of oil and scum, we suggest to use an additional decanter with the oil skimmer S 100. Decanters separate the small amount of water, emulsion or washing fluid from the collected oil. Water is returned to the main tank while waste oil flows into the collector tank.



3.

Long lasting, simple, robust and reliable - this is the **FRIESS** Oil Skimmer S 100.

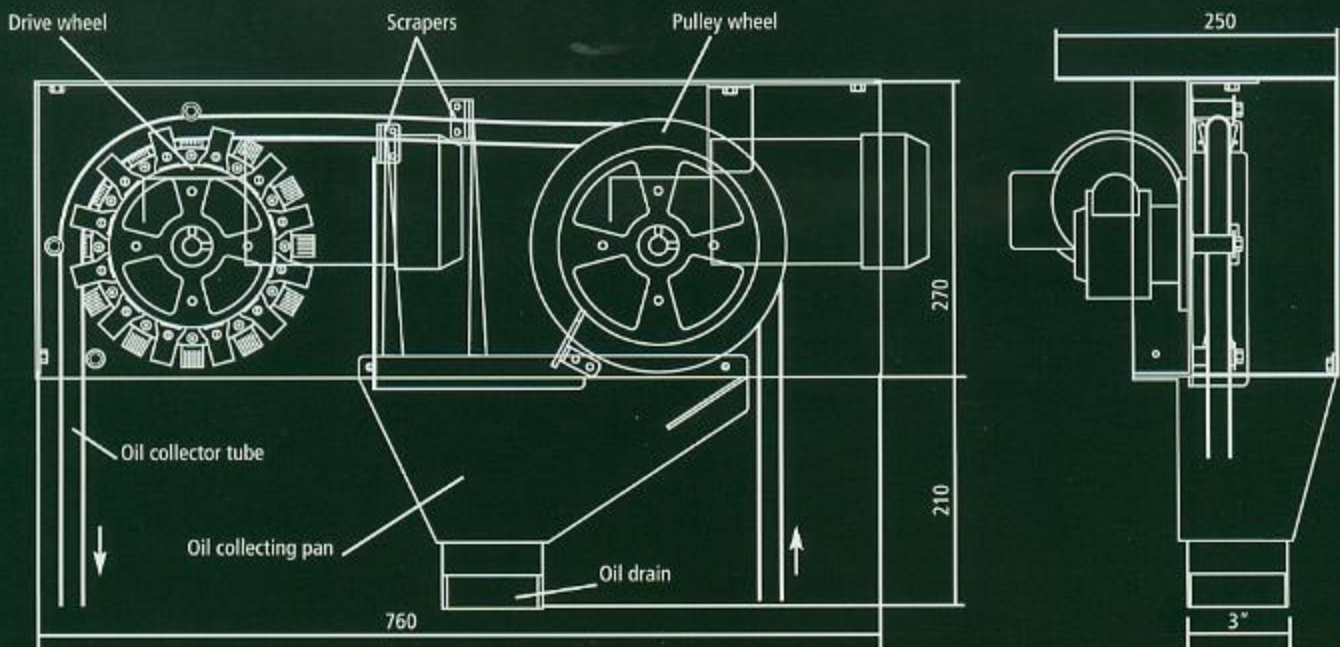
The oil skimmer S 100 is made of stainless steel and designed for many years of continuous operation.

All parts, which contact the oil and dirt laden oil collector tube (drive wheel, pressure pad and scrapers) are made of high abrasion resistant ceramic. Dirt particles in the oil may be very abrasive and quickly destroy conventional scrapers. **FRIESS** uses aluminium oxide ceramic, which is extremely abrasion resistant and may be used in continuous operation for many years.

4.

FRIESS Oil Skimmers are used in all industries.

Companies in different processes use the **FRIESS** Oil Skimmers: automotive-, chemical-, paper- and steel industry, quenching companies, diecast and aluminium casting, railway- and aircraft repair shops and food industry. Refineries and waste oil treatment companies make profit from the high quality and the high



efficiency of **FRIESS** Oil Skimmer. Typical use of the oil skimmer S 100 is picking up tramp oil and fat from waste water, cooling water, cutting emulsion and washing water.

5.

The perfect solution for all applications

For your application we can offer the correct solution. You can choose from different mounting options for the oil skimmer S 100. This makes the mounting easy and helps reduce costs. Oil skimmer S 100 is able to lift oil up to 20 m from the fluid surface. Collector tubes can be selected according to system fluid, contaminating/tramp oil and temperature. Working temperatures may range from -20 °C up to +95 °C.



6.

Portable or stationary units

You can use the **FRIESS** Oil Skimmer S 100 as a stationary or portable unit. Mounted on a trailer, one oil skimmer model S 100 can clean two or more basins/tanks. The oil skimmer S 100 comes with a specialised gear/motor-combination drive, which has been proved in thousands of applications.

7.

Fast service and delivery

May be you think that the **FRIESS** Oil Skimmer S 100 cannot solve your oil-water mixture problem?

Make a simple test with the **FRIESS** Oil Skimmer. Convince yourself from the quality and the efficiency of this machine. Of course we do not deliver just the oil skimmer, but also the necessary mounting equipment, waste oil collector tanks etc. and mount the system in your factory.

Use our 25 years of experience in the field of oil-water separation.

8.

Cost saving

The **FRIESS** Oil Skimmer model S 100 uses two motor-gear drives with extremely low power consumption and high efficiency. Together with the use of high-technology materials you achieve long service life with low maintenance. This reduces running and maintenance costs.

An oil skimmer pays for itself, as by skimming oil from the surface you extend the life of cooling water, emulsion or washing water.

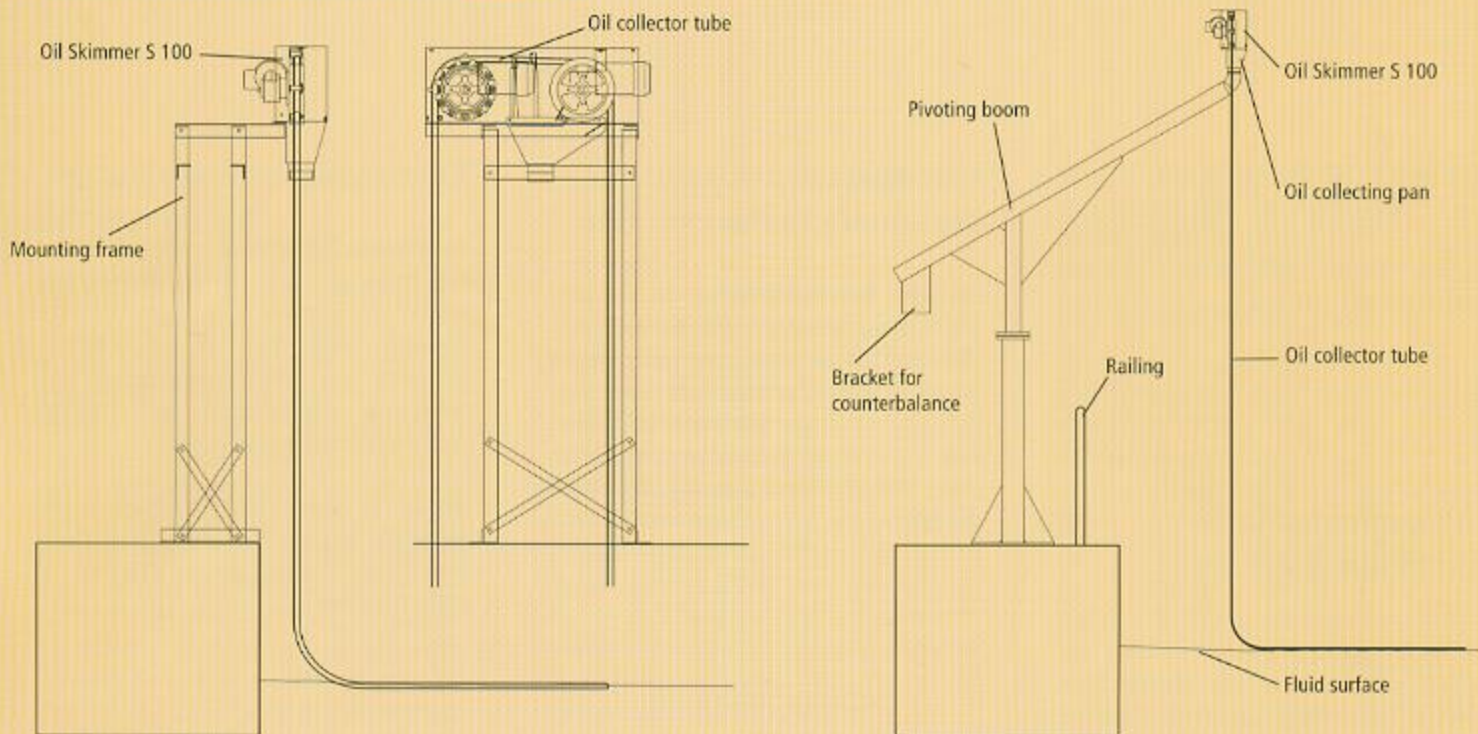
9.

Fits to your application

The oil skimmer model S 100 fits your basin/tank. Depending on the tank layout, we deliver different mounting systems. You can mount the oil skimmer on a frame or a cantilever mount. You can hang it on a beam over the tank. If you need a closed cover around the oil skimmer you can choose from different options available. We can supply your oil skimmer S 100 with explosion proof drive.

Just advise us of your specific need. The S 100 will meet it.

Böttgerstraße 2
 D-40789 Monheim
 Germany
 Phone 02173 - 52011
 02173 - 52012
 0700 oelskimmer
 Telefax 02173 - 33374
 E-mail: support@friess.info
 Internet: www.friess.info



Technical data FRIESS Oil Skimmer model S 100

Minimum dimensions of the basin / tank	1,300 x 1,300 mm
Max. mounting height above water-level	20 m
Max. capacity	500 l/h
Working temperature	-20°C / +95°C
Motor	2 part. geared motors
Power	2 x 0.12 kW
Voltage	400 V / 3 phase
Dimensions (L x W x H) with oil collecting pan	760 x 270 x approx 480 mm
Dimensions (L x W x H) without oil collecting pan	760 x 270 x approx 250 mm
Weight	approx 40.0 kg incl. collecting pan
Drainage connection	3 "